

THE DENTAL
SOLUTIONS
COMPANY™



Dentsply Sirona Imaging Solutions

Intraoral Imaging

dentsplysirona.com/intraoral



Elevate Your Practice

Because at Dentsply Sirona we are driven to provide more healthy smiles by supporting dental professionals and their practices with improved patient experiences, practice efficiencies and procedural expansion. We do this through a combination of innovative solutions and practice support, including clinical education, with our people at the foundation of everything that we do.



Clinical confidence

Almost every treatment begins with a reliable diagnosis. It should be precise, yet quick and the image should be easy to capture. A high-quality X-ray with maximum clinical information allows you to feel comfortable and confident knowing that you have a clear view of the case and have everything needed for a successful treatment. Which is why our holistic product solutions offer you the right support for every situation down to the last detail for ultimate peace of mind and certainty in your diagnosis.



Smart connectivity

At Dentsply Sirona, we don't just design individual products, we create solutions for your entire workflow. Because when your hardware and software come together in effortless cohesion, you can concentrate on what's most important: your patient. With an optimized workflow you not only increase practice efficiency and save valuable time, you also know that you are providing your patient with the best care possible for a healthy, happy smile and a successful treatment outcome.



Exceptional experience

When designing our Dentsply Sirona Imaging Solutions we prioritize making our devices not only aesthetically and functionally successful, but also equipped to provide you with optimum clinical and diagnostic support. We want to ensure that you have equipment that you can trust and also enjoy working with.

Dental professionals trust in Dentsply Sirona



"We use Xios XG Supreme sensors together with the Heliodent Plus unit and especially appreciate the high image quality, which really surprised us. And there are also the case-specific setting options in the dynamic focus control that we can use to adjust our images based on the different findings, such as endo or perio cases."

Dr. Stefanie Kloß-Wahlig, Heppenheim, DE



"We could feel the difference immediately after switching to Dentsply Sirona X-ray units. The accuracy and speed is incomparable. I would definitely recommend Dentsply Sirona to any colleague looking for a digital solution."

Dr. Seya Sivendra, Adelaide, AU



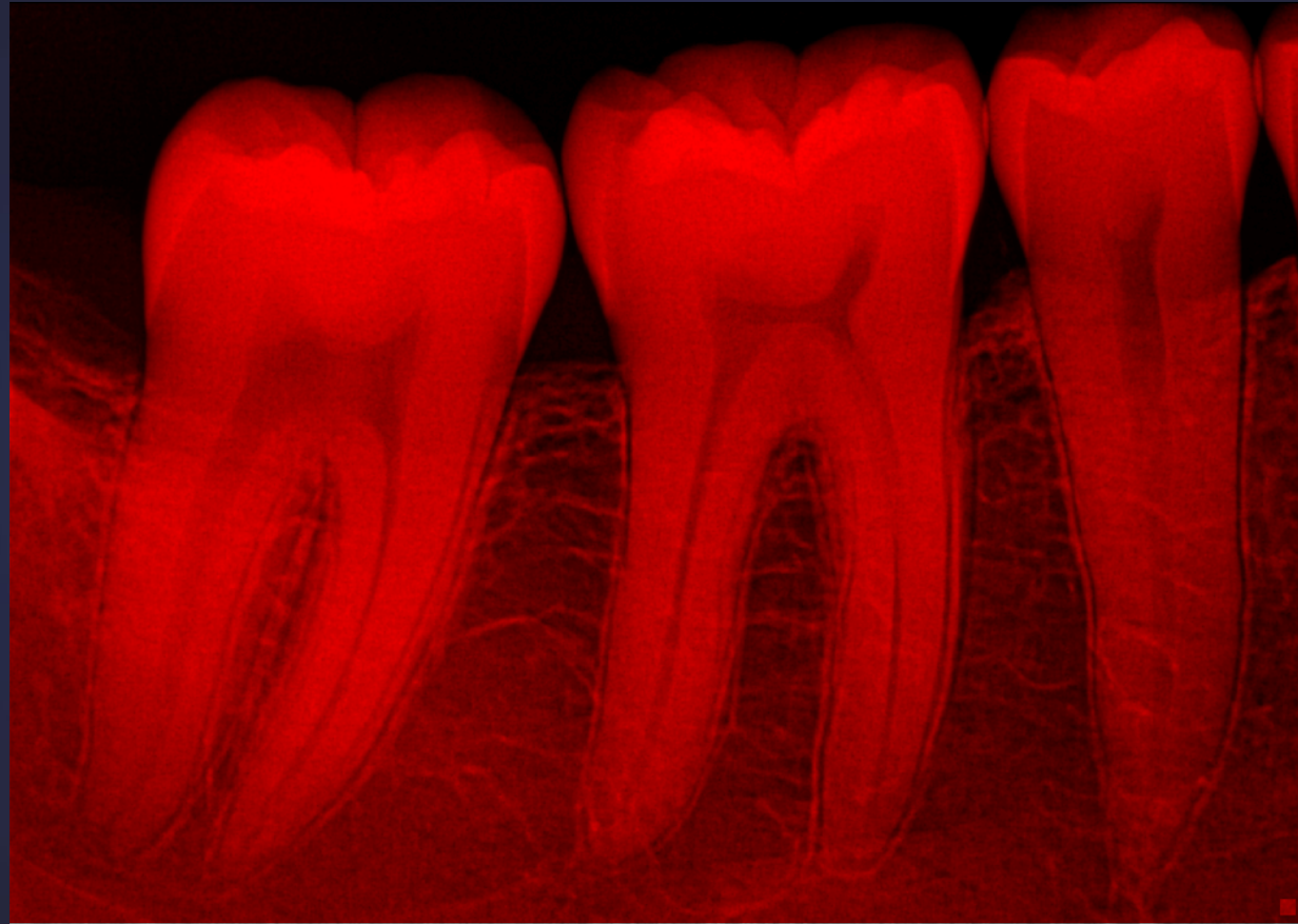
"I'm glad about the wide range of X-ray solutions. I can take X-rays in my practice the way I like. I don't have to adjust to the products. The products adjust to me. Regardless of the X-ray unit I choose, the result and route taken are always optimal for me."

Dr. Antoine Hirardot, Le Man, FR

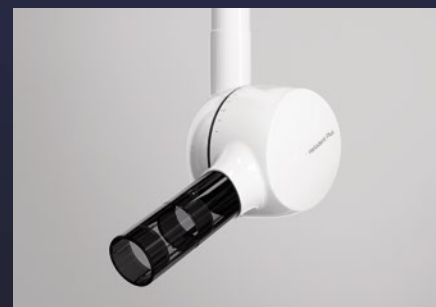
Focus on exceptional image quality

Be it the sensors or X-ray generators, the image quality from Dentsply Sirona's intraoral imaging portfolio speaks for itself. Using the lowest dose necessary according to the ALARA* principle is just another reason why our intraoral X-rays are an excellent fit for your practice.

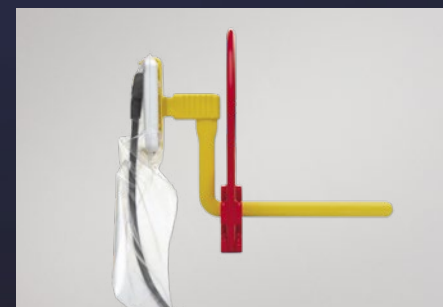
Through the combination of our intraoral X-ray products, from the X-ray generator to the holder system, the benefits are endless and can take your practice to the next level.



Xios XG Supreme



Heliodent Plus



Dentsply Sirona holder systems

The right solution for every workflow

Whether you're introducing digital technology to your practice or updating an already fully digital practice, Dentsply Sirona's intraoral product family has the right solution to support your workflows and fit your individual needs.



Dentsply Sirona holder systems

With the various holder systems that we offer, from single-use to autoclavable, you get the ultimate support for accurate and simple image capture.



Heliodent Plus

The modularity of the X-ray generator, Heliodent Plus, enables it to adapt to your practice's surroundings, forming the basis for optimum X-ray images and allowing quick and safe operation.



Sidexis 4

Featuring a modern user interface and intuitive tools - Sidexis 4 is the new centerpiece of the Dentsply Sirona X-ray family.



Xios XG Supreme

With the Xios XG Supreme intraoral sensor, you get X-ray images in HD quality and diagnostic-focused filtering functions, in addition to a quicker and more flexible way of working.

Sidexis 4 software

The modern and highly intuitive imaging software supports clear diagnosis. With its award-winning user interface, Sidexis 4 promotes an accessible workspace and clear navigation, saving valuable practice time and allowing for optimal patient communication.



Simplify your digital workflow

Even the best hardware is only truly optimized when paired with the proper software solution. Xios sensors and Sidexis 4 seamlessly integrate to provide ultimate diagnostic support in your practice. With tools such as the dynamic sharpening slider and the clinically specific enhanced filtering options, your images are ready to support your treatment evaluation.

▶ Integrated workflows

Sidexis 4 can be easily integrated into your practice and intuitively operated. The software also offers additional possibilities beyond image diagnosis, keeping your practice equipped for growth and opportunity.

▶ Modern, intuitive design

Sidexis 4 offers a completely new, updated look. Beyond the impressive aesthetics, it boasts an intuitive operating approach and clear design. The new Timeline function also offers you an easy-to-navigate patient diagnosis and treatment history.

▶ Seamless 2D/3D

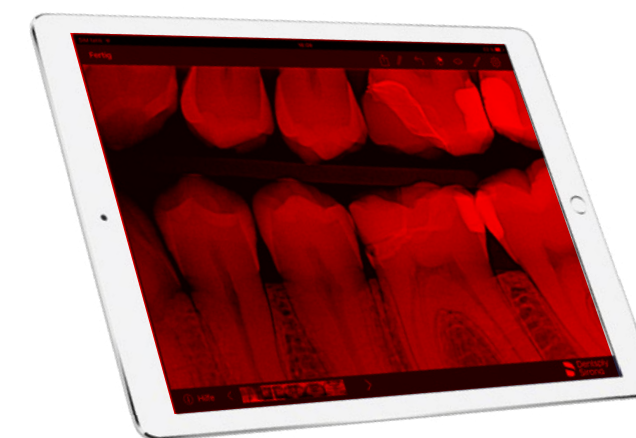
With Sidexis 4, you can view 2D and 3D data simultaneously side by side without switching between programs. This saves you valuable time and cross-comparisons provide you with increased confidence in your final diagnosis and treatment plan.

▶ Compare

Sidexis 4 compares two CBCT images or up to four 2D images simultaneously. For example, you can navigate through both volumes at the same time, obtain cross-comparisons at a glance and provide clear patient communication and case presentation.

Mobile image visualization with the Sidexis iX iPad app

Whether changing treatment rooms or explaining your diagnosis directly on the image - with Sidexis iX, you can take images with you wherever you go, making the iPad a convenient and accessible advisory tool.



Imaging on the go

so you can use all the mobile and flexible advantages of the iPad.

Implant visualization

to clearly and precisely present your implant treatment proposal to the patient.

Sidexis 4 databank access

providing the complete use of the Sidexis 4 databank and available offline copies.

Heliodent Plus

The Heliodent Plus intraoral X-ray unit allows for optimal functionality in every practice. The modularity of its installation options and its image quality surpass every expectation.



Advantages:

- ▶ Safe and intuitive operation
- ▶ Flexibility with three optional arm lengths
- ▶ Remote functionality
- ▶ Robust quality ensuring durability and security of investment

Smart design for stable positioning and ultimate image quality

Heliodent Plus offers a 0.4 mm focal spot and vibration-free components to ideally support your workflow.

Intuitive and flexible

Significantly reduce obstacles with clear user options and numerous installation configurations, the Heliodent Plus provides a reliable partner for a truly flexible workflow - supporting the unique needs of your practice.

Sophisticated installation

Thanks to its various installation options, the Heliodent Plus can be easily adapted to fit every X-ray situation, regardless of a room's dimensions or layout. Whether your unit is a wall model, ceiling mount, attached to the Dentsply Sirona treatment center or is a mobile unit, we provide options to support each unique workflow.



Wall model



Remote Control



Remote Timer



Manual release



Heliodent Plus on the treatment center



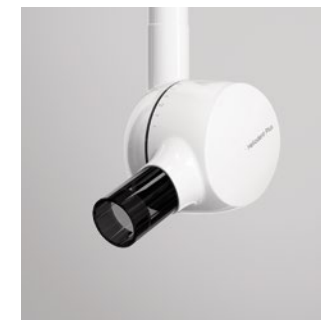
Heliodent Plus with mobile stand



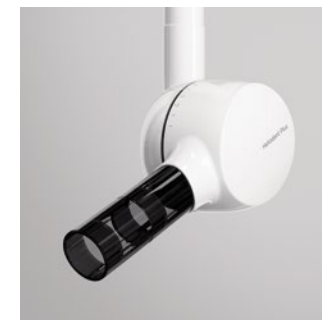
Heliodent Plus with ceiling mount



Ceiling combination with LEDview Plus



20 cm standard cone



Round cone extension, 30 cm



Square cone extension, 30 cm



Configure your Heliodent Plus at: www.heliodentconfigurator.com

Xios XG Supreme

With 33 lp/mm* and a CSI scintillator, the Xios XG Supreme sensor provides a reliable partner for any practice. High-quality images with the convenience of immediate availability on your computer for diagnosis.



Advantages:

- ▶ Premium image quality
- ▶ Dynamic sharpening slider for individual image optimization
- ▶ Easy cable exchange
- ▶ Optimized USB data transfer

Multiple sensor sizes

Xios XG Supreme sensors are available in three different sizes:

- Size 2:** Adult bitewing and single tooth images
- Size 1:** Single tooth images for smaller adults, patients with a shallow palate and bitewings for larger children
- Size 0:** Pediatric images

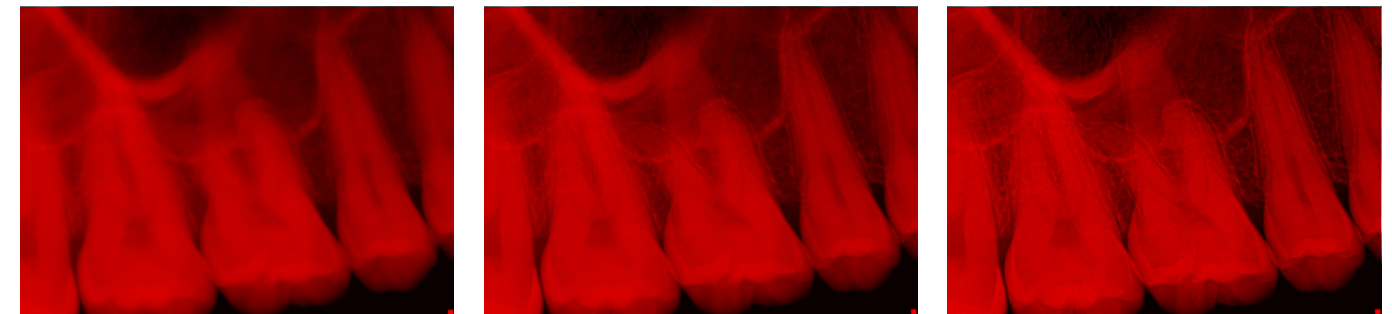
Various cable lengths

The choice of various cable lengths facilitates flexibility, regardless of the operatory size and configuration.

Options: 90 cm, 180 cm, 270 cm cables

Proven image sharpness

Outstanding image quality is just the beginning with Xios XG Supreme intraoral sensors. The dynamic sharpening slider allows you to adjust your diagnostic settings in terms of sharpness. Additional slider options are available for modifications in brightness and contrast. After configuration, images are displayed in an efficient way to enhance your diagnostic capabilities, saving you valuable time. With just the click of your mouse, you get the right image for every treatment situation and ultimate clinical support.



0%

50%

100%

Filtering enhancements

With Xios XG Supreme sensors you have the option of five different filtering options: General Dentistry, Endodontics, Periodontics, Restorative and Hygiene. These clinically specific views are designed to optimize your diagnosis, enhancing the image to suit your needs.

USB or WiFi connectivity options

With the Xios XG sensors, you have the option of USB or WiFi connectivity for optimal flexibility. The use of Xios XG Supreme sensors in combination with the USB 3 interface allows for accelerated information read-out and optimized data transfer. A smooth transition between the technologies is possible at any time with just the change of the cable.



Proven and safe with the USB module



Safe and flexible with the WiFi module

The right sensor for every case

Xios XG Supreme offers the best integration into your workflow and ultimate image quality. Multiple sensor sizes allow for a truly customized experience for each and every patient and their unique situation. True efficiency in your workflow is facilitated by seamless integration and ease of operation.



Exchangeable cable

Cables cost a fraction of the price of a new sensor and can be purchased at any time ensuring no lost productivity for the user should a cable be damaged. The damaged cable can be replaced within minutes just by loosening two screws and you can do this completely chairside – protecting your investment without missing a beat.



The highest degree of flexibility

The modularity of the Dentsply Sirona intraoral family provides the opportunity to meet every dentist's individual needs with a customized solution tailored to their practice. Whether you have a relatively small practice with a few operatories or a large practice or clinic, all products can be configured to fit your requirements and preference. This allows for a smooth integration into your daily workflow and optimum results.



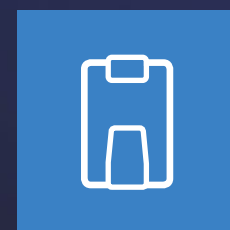
Sophisticated installation

The Heliodont Plus offers a broad range of mounting options to allow for optimum configuration in each treatment room. The equipment has been designed to support your treatment style and permits you to work exactly how you're comfortable.



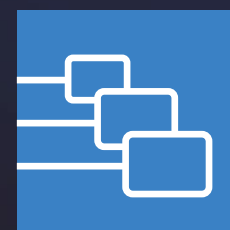
Sensor cable exchange

Multiple cable lengths and an easy-to-change cable help to provide flexibility in your workflow and extra security on your investment making sure you're never left without a sensor.



Connectivity

Solutions from Dentsply Sirona, whether USB or WiFi compatible, ensure that you can work quickly and efficiently, while maintaining outstanding quality.

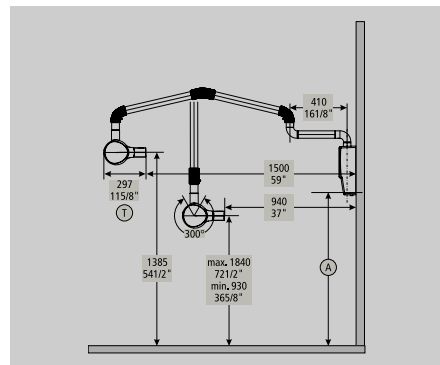


Multiple sizes

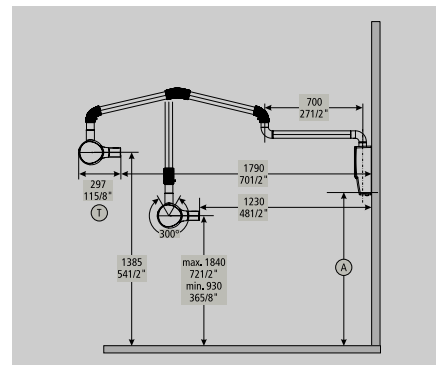
Both the imaging plates and sensors are available in multiple sizes, enabling even greater customized solutions for every patient and treatment situation.

Technical data

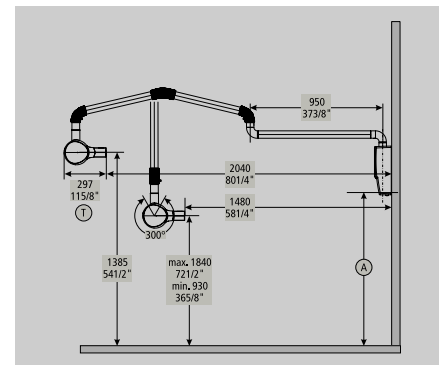
Heliodent Plus	
Generator type	High-frequency generator for constant high voltage
Tube voltage	Adjustable between 60 kV and 70 kV
Tube current	7 mA
Focal spot	0.4 (IEC 336)
Line voltage	120-240 V \pm 10 % without switching, 50/60 Hz
Exposure time	Incrementally adjustable from 0.01 to 3.2 s
Detector media	Preset for film and Xios XG Supreme sensors, exposure times can be individually adjusted, also for imaging plates and other sensor systems
Display	Multicolored display to show the different system states
Focus-to-skin distance	Standard 20 cm, optional 30 cm
Available installation options	Wall-mounted installation with three arm lengths, model mounted on treatment center, installation with manual release, remote control or remote timer, ceiling model, ceiling combination with LEDview, mobile model



Heliodent Plus, medium support arm*



Heliodent Plus, long support arm*



Heliodent Plus, extra long support arm*

Xios XG Supreme	
Sensors	
Sensor 0: Active surface	18 mm x 24 mm
Sensor 0: Overall dimensions	23.6 mm x 32 mm x 7.5 mm
Sensor 1: Active surface	20 mm x 30 mm
Sensor 1: Overall dimensions	25.4 mm x 38.3 mm x 7.5 mm
Sensor 2: Active surface	25.6 mm x 36 mm
Sensor 2: Overall dimensions	31.2 mm x 43 mm x 7.5 mm
Physical pixel size	15 μ m
Measured resolution	28 lp/mm
Theoretical resolution	33 lp/mm
Sensor cable length	Up to max. 2.7 m
USB interface	
USB port of USB interface	USB 3
Power supply	USB port
WiFi	
Technology	IEEE 802.11b/g
Charging station for WiFi function	Storage device and charger with LED status display

* Exact dimensions of installation in the installation requirements

PC Requirements

Requirements for Sidexis 4

Specification for one server and an unlimited number of workstations.

	Sidexis 4 Server	Min. for 2D Workstation	Min. for 3D Workstation
Operating system*	Windows Server 2012 R2 Windows Server 2016 Windows Server 2019	Windows 8.1 Pro (64 bit) Windows 10 Pro (64 bit)	Windows 8.1 Pro (64 bit) Windows 10 Pro (64 bit)
CPU	\geq 2.3 GHz QuadCore Processor with 64 bit (x64)	\geq 2 GHz DualCore	\geq 2.3 GHz QuadCore Processor with 64 bit (x64)
RAM	\geq 8 GB	\geq 4 GB	\geq 8 GB
Graphic card	any	any	any
DirectX	DirectX 10 with WDDM 1.0 or higher driver	DirectX 9.0c	DirectX 10 with WDDM 1.0 or higher driver

* For 64-bit operating systems, installation under Boot Camp is also approved.